

General



This HTW-31-F10BNT digital thermostat is designed to controls the fans, valves, dampers or electric heater in fan coil units and heating applications in industrial, commercial or residential environment.

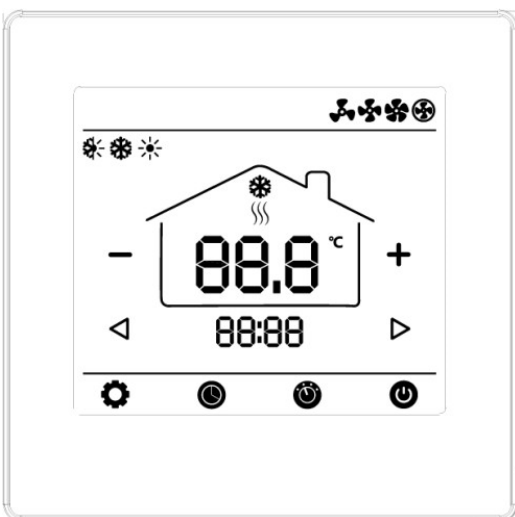
Technical Data

Power Supply	- 230V 50/60Hz	Backlight	- White
Power Consumption	- 1.5A	Sensor	- NTC 10K, 3950ohms at 25°C
Set Point Range	- 5~80°C	Accuracy	- + 1°C (step control by +0.5°C)
Ambient	- 0~50°C	Protection Class	- IP30
Relative Humidity	- 85%	Housing	- ABS to UL94-5 fire retardant plastic

Features


- Attractive modern styling
- Adjustable heating/cooling/ventilating mode control
- Adjustable manual 3-speed and automatic fan speed control
- 4pipe system
- Bacnet
- Keycard(Optional)
- External sensor(Optional)

Display and Keys



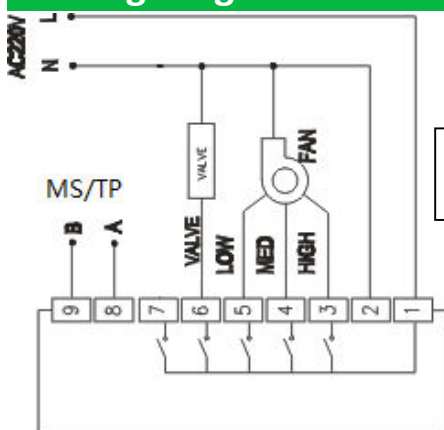
1. ON/OFF: press to turn device on/off.
2. Modes select: Press to adjust between Heat, Cool and Fan mode.
3. Fan Speed Adjust: Press F icon can change the fan speed among Low-Medium-High-Off-Auto status. When it is OFF, there is no Fan icon appears.
4. Temp Adjust: Press can adjust the set-point or parameters.

Installer Set-Up Process(ISU)

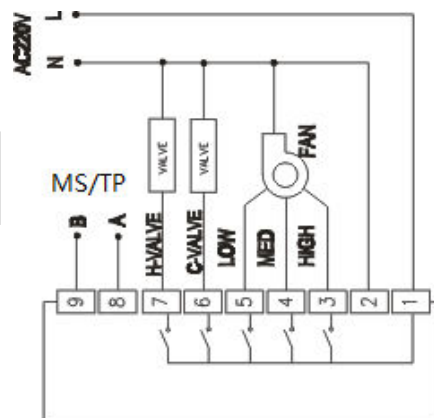
- Turn thermostat off first, and then long press  icon until screen displays.
- Press **M** switch to next parameter configuration
- Press **- +** to adjust the value on each parameter menu.

Menu	Description	Range	Default
01	Temperature Offset	-8 °C ~8°C	0 °C
03	Mode select	Heat/cool Heat/cool /fan Fan only Cool only; Heat only;	Heat/cool
04	Set Point High Limit	5 °C ~35°C	35°C
05	Set Point Low Limit	5 °C ~35°C	5°C
11	Dead Band	0°C ~3°C	0°C
14	Bacnet Station id	001~127	001
15	Fan status select when reach set-point	NS: No stop, working in low speed S: Stop	NS
18	Return to Factory Default Setting	Yes/No	No
19	Software Version	Version 1.0-7087	NO Change
30	Bacnet MSTP Bandrate	48 : 4800bps 96 : 9600bps 144 : 14400bps 192: 19200bps 384: 38400bps 768: 76800bps	384
32	Bacnet MSTP Instance ID High-Byte	0X00~0XFF	00H
33	Bacnet MSTP Instance ID Low-Byte	0X00~0XFF	01H

Wiring Diagram



HTW-31-F10-2B
2-Pipe system



HTW-31-F10-4B
4-Pipe system

Object Lists for Various Models

Bacnet MS/TP Thermostats

MS/TP Band: 38400, 8N1

OBJECT NAME	VALUES	UNIT	OBJECT ID	OBJECT TYPE
Set Temperature	5 - 35	C	AO0	Analog Output
Room Temperature	5 - 35	C	AI0	Analog Input
Operating Mode	Cooling / Heating/Fan		MO0	Multi-state Output
Fan Speed	Auto/L/M/H		MO1	Multi-state Output
Onoff	Off/On		MO2	Multi-state Output
Relay Status			MI1	Multi-state Input
FT-BAC			DEVICE	Device

Dimensions

