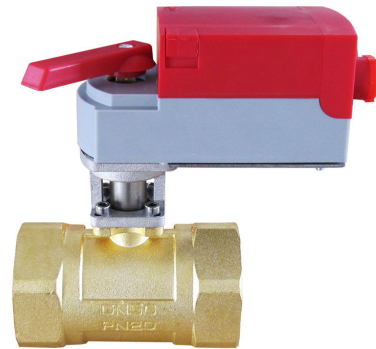


# HTW-71-18B5 Series

## Motorized ON/OFF or Modulating Ball Valve



ON/OFF Control Type



Modulating Control Type

### 1. General

HTW-71-18B5 Series Motorized Ball Valves are assembled with a force of actuator from 8Nm, 16Nm, 20Nm, to 24Nm with valve body sized from G1(DN25) to G2(DN50). With power supply optional: AC $24\pm 10\%$ , 50/60Hz or AC $220\pm 10\%$ , 50/60Hz, whose control signal can be customized as ON/OFF, 0(2)~10VDC or 4~20mA, with or without non-voltage feedback contact.

They are widely used in Heating, Air-Conditioning, Refrigeration, and Building Auto-Control system. With their precisely adjusting of the medium flow rate, this series ball valves accordingly control temperature, humidity, pressure for an Energy-Saving purpose.

### 2. General

- ⊙ Equal percentage flow, valve body overall design, zero leaking;
- ⊙ 600Kpa close off pressure differential, PN1.6 valve pressure;
- ⊙ 4 directions actuator installed in, easy to wire and maintenance;
- ⊙ Built-In two floating auxiliary switches, equipped with auto power shut as properly positioned ;
- ⊙ Actuator easily mounted/dismounted after pipe mounted completely;
- ⊙ Eliminate reverse flow slam and water hammer.

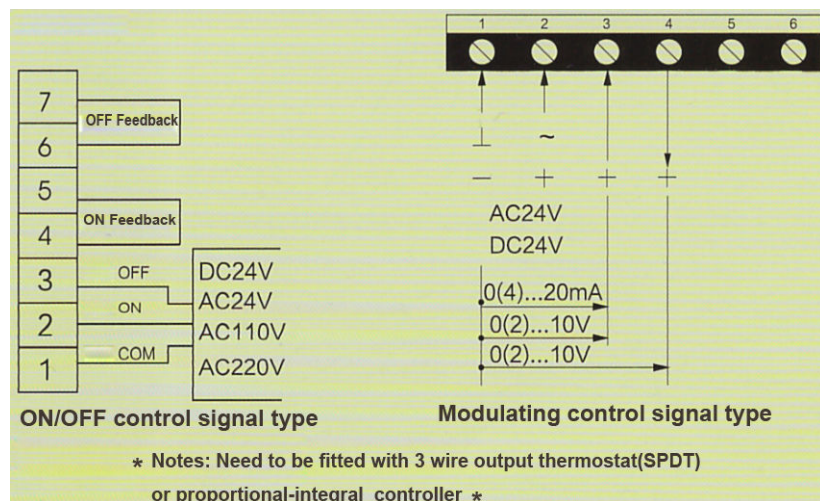
### 3. General

- ⊙ Valve body size: G1(DN25)-G2(DN50);
- ⊙ Connection: G/BSP thread;
- ⊙ Medium: cold or hot water or 60% glycol;
- ⊙ Control Signal: On/Off or 0(2)~10VDC or 4~20mA;
- ⊙ Voltage Supply: 220Vac $\pm 10\%$ , 24Vac $\pm 10\%$ ;
- ⊙ Power Consumption: 6W;
- ⊙ Output Torque: 8Nm, 16Nm, 20Nm or 24Nm
- ⊙ Open/Close Running time: 40~80S;
- ⊙ Media temperature range: 1°C~95°C
- ⊙ Ambient temperature: 0°C~60°C
- ⊙ Max. Pressure of valve body: 2.0Mpa

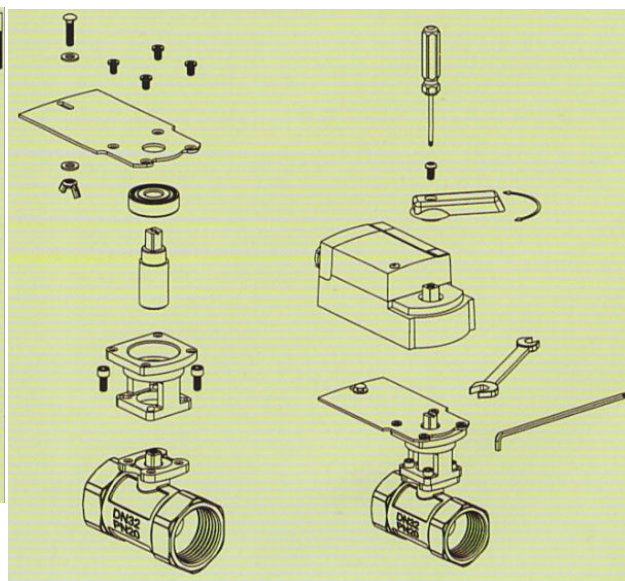
## 4.Specification Form

| Model           | Valve     | Thread Size | Actuator Torgue(Nm) | Work Medium                           | Media Temp. | Ambient Temp. | Pressure (MPa) | Power Supply   |
|-----------------|-----------|-------------|---------------------|---------------------------------------|-------------|---------------|----------------|--|
| HTW-71-18B5-225 | Two-way   | G1          | 8Nm/10Nm            | Chilling water /Hot water /60% Glycol | 1-95℃       | 0-60℃         | 2.0            | <ul style="list-style-type: none"> <li>●24Vac</li> <li>●220Vac</li> <li>50/60HZ</li> </ul> |
| HTW-71-18B5-325 | Three-way | G1          | 8Nm/10Nm            |                                       |             |               |                |  |
| HTW-71-18B5-232 | Two-way   | G1.1/4      | 16Nm                |                                       |             |               |                |  |
| HTW-71-18B5-332 | Three-way | G1.1/4      | 16Nm                |                                       |             |               |                |  |
| HTW-71-18B5-240 | Two-way   | G1.1/2      | 16Nm                |                                       |             |               |                |  |
| HTW-71-18B5-340 | Three-way | G1.1/2      | 16Nm                |                                       |             |               |                |  |
| HTW-71-18B5-250 | Two-way   | G2          | 16/24Nm             |                                       |             |               |                |  |
| HTW-71-18B5-350 | Three-way | G2          | 16/24Nm             |                                       |             |               |                |  |

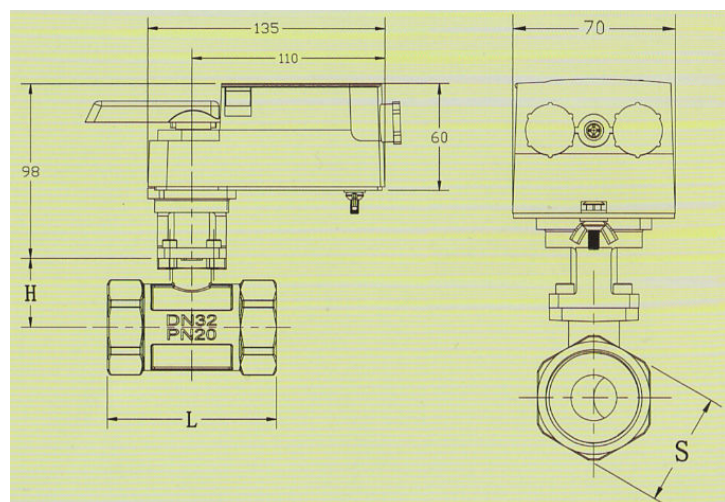
## 5.Wiring Diagram



## 6.Installation



## 7.Outline Dimension



**Hotowell International Co.,Limited**

[www.hotowell.com](http://www.hotowell.com)

Tel.:+86-592-3327332

Fax.:+86-592-3272142