



◎ General

HTW-V61 series motorized valves(3-wire) are used to control the flow of hot water, chill water in heating, cooling or air-conditioning applications, so as to control room temperature indirectly. It consists of Actuator and Valve Body. The room temperature could be controlled in the set-point through turn-on or turn-off of valve.

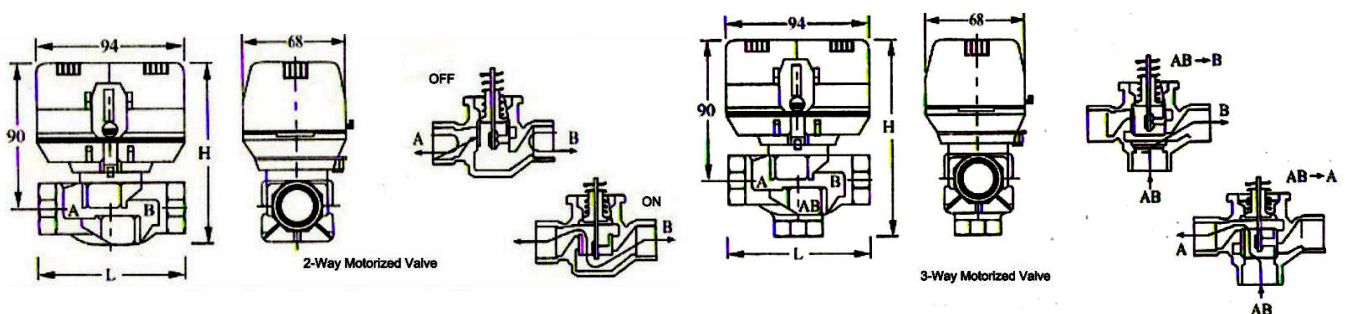
◎ Models & Specifications of Actuator:

Model	Rated Power Supply
HTW-V61-8503	AC220V±10%, 50/60Hz
HTW-V61-8203	AC110V±10%, 50/60Hz
HTW-V61-8003	AC24V±10%, 50/60Hz

◎ Models & Specifications of Valve Body

Model	Configuration	Kvs	Connection Type	Differential Pressure(MPa)
HTW-V61-215	normally closed two-way	2.0	G1/2	0.20
HTW-V61-220	normally closed two-way	3.2	G3/4	0.10
HTW-V61-225	normally closed two-way	5.7	G1	0.06
HTW-V61-315	mixing three-way	3.2	G1/2	0.20
HTW-V61-320	mixing three-way	4.6	G3/4	0.10
HTW-V61-325	mixing three-way	4.8	G1	0.06

◎ Sizes



Motorized Valve HTW-V61Series

Type	Model	DN(mm)	Inner Screw Thread (G)	Dimension(mm)	
				L	H
2-Way	HTW-V61-215	15	1/2"	90	114
	HTW-V61-220	20	3/4"	95	116
	HTW-V61-225	25	1"	105	128
3-Way	HTW-V61-315	15	1/2"	90	133
	HTW-V61-320	20	3/4"	95	133
	HTW-V61-325	25	1"	105	144

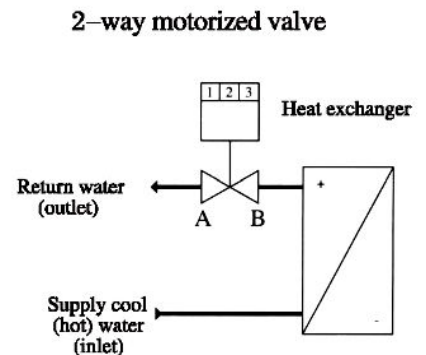
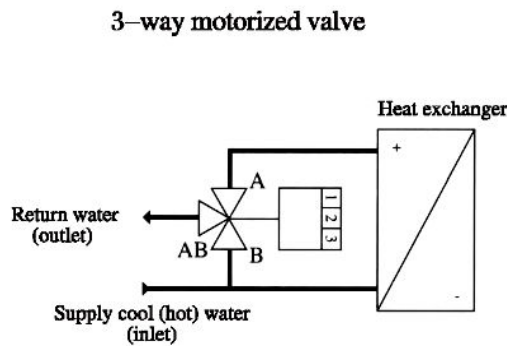
⊙ Technical Parameter

Consumption	5W
Drive style	Bi-direction reversible motor drive
Cooperate time with AC801A	the valve open within 6s at 60HZ
N.W.(Kg)-Actuator	0.35
Medium	Cool/hot water
Liquid temperature	1~95°C
Pressure(MPa)	1.6
Environment temperature	0~65°C the max relative humidity, non-condensing
Storage temperature	-20~65°C the max relative humidity, non-condensing

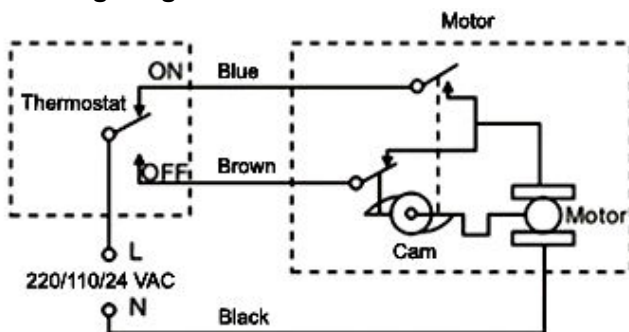
⊙ Water System Installing Diagram

Medium of the 2-way motorized valve flows from A to B, from B to A as well

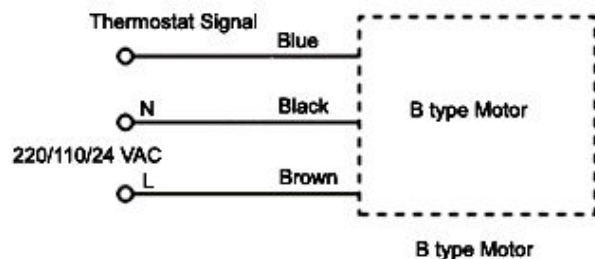
Medium of the 3-way motorized valve flows from AB to A or B; or from A or B to AB.



⊙ Wiring Diagram



3 wire 2 control



Note: The N phase must be the same as thermostat
3 wire 1 control